

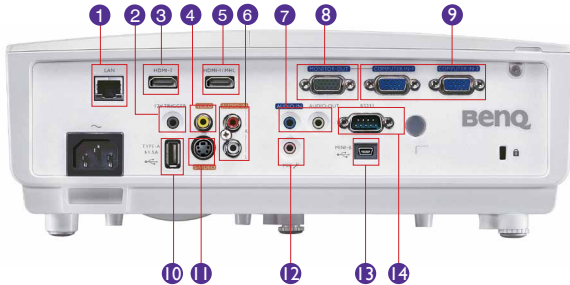


Features

- Native WXGA Resolution (1280x800)
- 4,200 ANSI Lumens
- 11,000:1 Contrast Ratio
- SmartEco™ Power Saving Technology
- Dual HDMI with MHL
- 2D Keystone with Corner Fit
- LAN Control and Display
- Optional Wireless Display



Input and Output Terminals



- | | |
|------------------------------|------------------------------------|
| 1 LAN | 8 Monitor Out (D-sub 15pin) |
| 2 12V Trigger | 9 Computer In -1 / 2 (D-sub 15pin) |
| 3 HDMI-2 | 10 USB (Type A) |
| 4 Composite Video in (RCA) | 11 S-Video (Mini DIN 4-pin) |
| 5 HDMI-1/MHL | 12 Mic |
| 6 Audio in (L/R) | 13 USB (Type mini-B) |
| 7 Audio In & Out (Mini Jack) | 14 RS232 (DB-9pin) |

Specifications

Projection System	DLP
Native Resolution	WXGA (1280x800)
Brightness	4,200 ANSI Lumen
Contrast Ratio	11,000:1
Display Color	1.07 Billion Colors
Lens	F=2.59~2.91, f=16.87~21.87mm
Aspect Ratio	Native 16:10 (5 aspect ratio selectable)
Throw Ratio	1.2-1.57(77" @2m)
Image Size Diagonal	50" ~ 300"
Zoom Ratio	1.3x
Lamp Type	280W
Lamp(Normal/Economic/SmartEco Mode)*	3000/4000/6000 hours
Keystone Adjustment	2D, Vertical & Horizontal ± 30 degrees
Projection Offset	Vertical: 123% ±5%
Resolution Support	VGA(640 x 480) to WXGA (1600 x 1200)
Horizontal Frequency	15K-102KHz
Vertical Scan Rate	23-120Hz
Compatibility	HDTV Compatibility: 480i, 480p, 576i, 576p, 720p, 1080i, 1080p Video Compatibility: NTSC, PAL, SECAM 3D Compatibility: Frame Sequential: Up to 60Hz 720p Frame Packing: Up to 24 Hz 1080p Side by Side: Up to 24Hz 1080p Top Bottom: Up to 60Hz 1080p
Interface	Computer in (D-sub 15pin) x 2 HDMI x 2 (HDMI with MHL2.0 x1, HDMI x 1) MHL x 1 (HDMI with MHL2.0) Monitor out x 1 Composite Video in (RCA) x 1 S-Video in x 1 Audio in (Mini Jack) x 1 Audio in (L/R) x 1 Audio out (Mini Jack) x 1 Microphone in (Mini jack) x 1 10W Speaker x 1 LAN(RJ-45) x 1 (LAN Control & LAN Display) USB (Type A) x 1 USB (Type Mini B) x 1 DC 12V Trigger (3.5mm Jack) x 1 RS232 (DB-9pin) x 1 IR Receiver x 2 (Front+Rear)
Dimensions (WxHxD)	12.3" x 4.5" x 8.5" (with feet)
Weight	7.28 lbs (3.3 Kg)
Power Supply	AC100 to 240V, 3.9A, 50 to 60 Hz
Power Consumption	370W(Normal), 310W(Eco), Standby<0.5W
Audible Noise	37/34 dBA (Normal/Economic mode)
On-Screen Display Languages	Arabic/Bulgarian/ Croatian/ Czech/ Danish/ Dutch/ English/ Finnish/ French/ German/ Greek/ Hindi/ Hungarian/ Italian/ Indonesian/ Japanese/ Korean/ Norwegian/ Polish/ Portuguese/ Romanian/ Russian/ Simplified Chinese/Spanish/ Swedish/ Turkish/ Thai/ Traditional Chinese (28 Languages)
Picture Mode	Dynamic/Presentation/sRGB/Cinema/User 1/User 2
Accessories (Standard)	Carry bag, Power Cord, Remote Control w Battery, VGA cable, User Manual CD, QSG, Lens Cover, Warranty Card
Accessories (Optional)	Spare Lamp Kit P/N: 5J.JCM05.001 Ceiling Mount P/N: 5J.J4N10.001 Carry bag P/N: 5J.J4R09.001 3D Glasses P/N: 5J.J9H25.001
UPC Code / Part #	8400460-3090-2 / 9H.JCN77.23A
Limited Warranty	3 Years Parts & Labor / 1 Year or 2,000 hours of lamp life

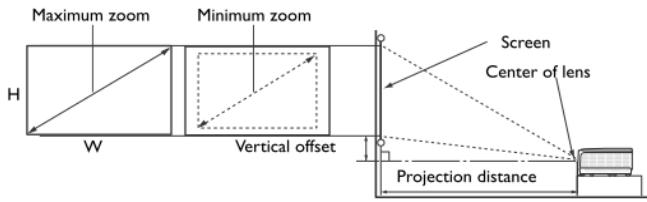
*Lamp life results will vary depending on environmental conditions and usage. Actual product's features and specifications are subject to change without notice.

MX726 11-24-14-BQus



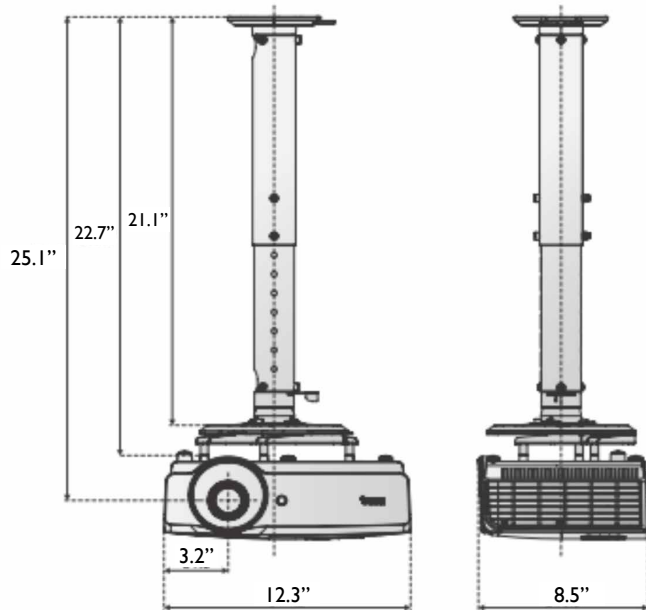
MW727 Digital Projector

Distance Chart



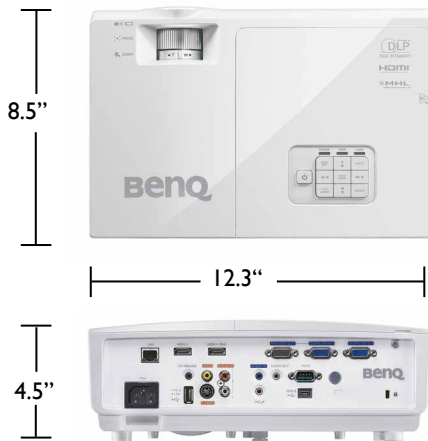
Screen Size				Distance from screen (inch)			offset (inch)
Diagonal Inch	mm	W (inch)	H (inch)	Min length	Average	Min length	A (inch) @ Wide mode
50	1270	42	26	50.8	58.7	66.5	2.9
60	1524	50	31	61.0	70.4	79.8	3.6
70	1778	59	37	71.2	82.2	93.1	4.2
80	2032	67	42	81.4	93.9	106.4	4.8
90	2286	76	48	91.5	105.7	119.8	5.4
100	2540	96	52	101.7	117.4	133.1	6.0
110	2794	93	58	111.9	129.1	146.4	6.6
120	3048	101	63	122.1	140.9	159.7	7.2
130	3302	110	68	132.2	152.6	173.0	7.8
140	3556	118	74	142.4	164.4	186.3	8.4
150	3810	127	79	152.6	176.1	199.6	9.0
160	4064	135	84	162.8	187.9	213.0	9.6
170	4318	144	90	172.9	199.6	226.3	10.2
180	4572	152	95	183.1	211.4	239.6	10.8
190	4826	161	100	193.3	223.1	252.9	11.4
200	5080	169	106	203.5	234.8	266.2	12.0
250	6350	212	132	254.4	293.6	332.8	15.0
300	7620	254	159	305.2	352.3	399.4	18.0

Ceiling Mount Chart



Dimensions

Units: inch



Because it matters